

KINETICS™

Free Standing Spring Isolators Model FDS 1 and 2

Description

Kinetics Model FDS Spring Vibration Isolators consist of high deflection, free-standing, unhooused, large diameter, laterally stable steel springs assembled into an upper load plate and leveling assembly. To assure stability, the spring isolators have lateral spring stiffness greater than 1.0 times the rated vertical stiffness and are designed to provide a minimum of 50% overload capacity. Springs are polyester powder coated, with a 1000-hour salt spray rating per ASTM B-117. In lighter capacities, FDS Spring Isolators have molded neoprene bottom load plate assemblies. In heavier capacities, springs are welded to the load plate assemblies and are furnished with a neoprene noise isolation pad. FDS Isolators have provisions for bolting the isolator to the structure. FDS isolators are available with deflections to 2" (51 mm) and with load capacities to 18,000 lbs. (8165 kg) as standard products. Custom isolators with higher deflection and greater load capacities are also available. Kinetics Model FDS Spring Isolators are highly effective for control of both high and low frequency vibration produced by reciprocating air or refrigeration compressors, pumps, packaged air handling and air conditioning equipment, centrifugal and axial fans, internal combustion engines, etc.

Application

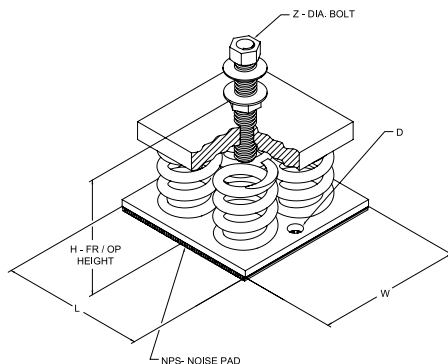
Kinetics Model FDS spring mounts are recommended for use in isolating floor mounted sources of noise and vibration located near critically quiet areas.

Model FDS spring mounts are typically used to reduce the transmission of noise and vibration from low speed mechanical equipment into a building structure. Operating static deflections are available to 2" (51 mm) to compensate for long span floor structures.

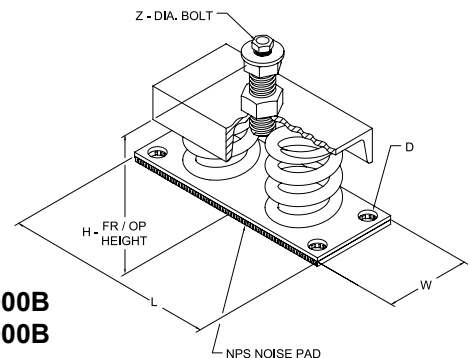
Model FDS spring mounts are used in a wide range of applications, some requiring Kinetics equipment bases in addition to spring isolators, and can be used to support and isolate the following equipment types: reciprocating air or refrigeration compressors, close coupled and base mounted pumps, packaged air handling and refrigeration equipment, centrifugal fans, internal combustion engines, and similar equipment. Model FDS Isolators are for use on equipment that is not subject to lateral forces such as wind.



Isolator Type	Spring Color	Rated Capacity		Rated Deflection		Spring O.D.		L		W		D		H		Z	
		lbs.	kg	in.	mm	in.	mm	in.	mm	in.	mm	in.	mm	in.	mm	in.	mm
FDS-1-35	Blue	35	16	1.52	39	1.75	44	2.63	67	2.63	67	0.69	17	4.19	106	0.38	10
FDS-1-70	Green	70	32	1.36	35	1.75	44	2.63	67	2.63	67	0.69	17	4.19	106	0.38	10
FDS-1-120	Gray	120	54	1.18	30	1.75	44	2.63	67	2.63	67	0.69	17	4.19	106	0.38	10
FDS-1-220	Brown	220	100	1.07	27	1.75	44	2.63	67	2.63	67	0.69	17	4.19	106	0.38	10
FDS-1-370	Orange	370	168	0.96	24	1.75	44	2.63	67	2.63	67	0.69	17	4.19	106	0.38	10
FDS-1-500	Beige	500	227	1.00	25	1.75	44	2.63	67	2.63	67	0.69	17	4.19	106	0.38	10
FDS-1-600	Chrome	600	272	1.00	25	1.75	44	2.63	67	2.63	67	0.69	17	4.19	106	0.38	10
FDS-1-700	Beige/Wh	700	318	1.00	25	1.75	44	2.63	67	2.63	67	0.69	17	4.19	106	0.38	10
FDS-1-805	Chr/Wh	805	365	1.01	26	1.75	44	2.63	67	2.63	67	0.69	17	4.19	106	0.38	10
FDS-1-50	Beige	50	23	1.00	25	3.00	76	3.88	98	3.88	98	1.00	25	5.44	138	0.38	10
FDS-1-100	Chrome	100	45	1.00	25	3.00	76	3.88	98	3.88	98	1.00	25	5.44	138	0.38	10
FDS-1-250	Blue	250	113	1.79	45	3.00	76	3.88	98	3.88	98	1.00	25	5.44	138	0.38	10
FDS-1-450	Green	450	204	1.54	39	3.00	76	3.88	98	3.88	98	1.00	25	5.44	138	0.38	10
FDS-1-625	Black	625	283	1.44	37	3.00	76	3.88	98	3.88	98	1.00	25	5.44	138	0.38	10
FDS-1-800	Gray	800	363	1.31	33	3.00	76	3.88	98	3.88	98	1.00	25	5.44	138	0.38	10
FDS-1-1000	Red	1000	454	1.15	29	3.00	76	3.88	98	3.88	98	1.00	25	5.44	138	0.38	10
FDS-1-1250	Brown	1250	567	1.09	28	3.00	76	3.88	98	3.88	98	1.00	25	5.44	138	0.38	10
FDS-1-1700	Orange	1700	771	0.95	24	3.00	76	3.88	98	3.88	98	1.00	25	5.44	138	0.38	10
FDS-1-2200	Org/Gray	2200	998	1.00	26	3.00	76	3.88	98	3.88	98	1.00	25	5.44	138	0.38	10
FDS-1-2465	Blue	2465	1118	1.00	25	3.00	76	3.88	98	3.88	98	1.00	25	5.44	138	0.38	10
FDS-1-2865	Blue/Gray	2865	1300	1.00	25	3.00	76	3.88	98	3.88	98	1.00	25	5.44	138	0.38	10
FDS-1-3500	Blue/Brn	3500	1588	1.00	25	3.00	76	3.88	98	3.88	98	1.00	25	5.44	138	0.38	10
FDS-1-120B	Gray	120	54	1.18	30	1.75	44	4.50	114	2.50	64	0.56	14	4.25	108	0.38	10
FDS-1-220B	Gray	220	100	1.07	27	1.75	44	4.50	114	2.50	64	0.56	14	4.25	108	0.38	10
FDS-1-370B	Gray	370	168	0.96	24	1.75	44	4.50	114	2.50	64	0.56	14	4.25	108	0.38	10
FDS-1-500B	Gray	500	227	1.00	25	1.75	44	4.50	114	2.50	64	0.56	14	4.25	108	0.38	10
FDS-1-600B	Gray	600	272	1.00	25	1.75	44	4.50	114	2.50	64	0.56	14	4.25	108	0.38	10
FDS-1-700B	Gray/Gray	700	318	1.00	25	1.75	44	4.50	114	2.50	64	0.56	14	4.25	108	0.38	10
FDS-1-805B	Gray/Gray	805	365	1.01	26	1.75	44	4.50	114	2.50	64	0.56	14	4.25	108	0.38	10
FDS-1-50B	Gray	50	23	1.00	25	3.00	76	7.00	178	4.00	102	0.69	17	5.63	143	0.38	10
FDS-1-100B	Gray	100	45	1.00	25	3.00	76	7.00	178	4.00	102	0.69	17	5.63	143	0.38	10
FDS-1-250B	Gray	250	113	1.79	45	3.00	76	7.00	178	4.00	102	0.69	17	5.63	143	0.38	10
FDS-1-450B	Gray	450	204	1.54	39	3.00	76	7.00	178	4.00	102	0.69	17	5.63	143	0.38	10
FDS-1-625B	Gray	625	283	1.44	37	3.00	76	7.00	178	4.00	102	0.69	17	5.63	143	0.38	10
FDS-1-800B	Gray	800	363	1.31	33	3.00	76	7.00	178	4.00	102	0.69	17	5.63	143	0.38	10
FDS-1-1000B	Gray	1000	454	1.15	29	3.00	76	7.00	178	4.00	102	0.69	17	5.63	143	0.38	10
FDS-1-1250B	Gray	1250	567	1.09	28	3.00	76	7.00	178	4.00	102	0.69	17	5.63	143	0.38	10
FDS-1-1700B	Gray	1700	771	0.95	24	3.00	76	7.00	178	4.00	102	0.69	17	5.63	143	0.38	10
FDS-1-2200B	Gray/Gray	2200	998	1.00	26	3.00	76	7.00	178	4.00	102	0.69	17	5.63	143	0.38	10
FDS-1-2465B	Gray	2465	1118	1.00	25	3.00	76	7.00	178	4.00	102	0.69	17	5.63	143	0.38	10
FDS-1-2865B	Gray/Gray	2865	1300	1.00	25	3.00	76	7.00	178	4.00	102	0.69	17	5.63	143	0.38	10
FDS-1-3500B	Gray/Gray	3500	1588	1.00	25	3.00	76	7.00	178	4.00	102	0.69	17	5.63	143	0.38	10
FDS-1-2500B	Gray/Gray	2500	1134	1.09	28	3.00	76	10.00	254	4.00	102	0.69	17	6.25	159	0.50	13
FDS-1-3400B	Gray/Gray	3400	1542	0.95	24	3.00	76	10.00	254	4.00	102	0.69	17	6.25	159	0.50	13
FDS-1-4400B	Gray/Gray	4400	1996	1.00	26	3.00	76	10.00	254	4.00	102	0.69	17	6.25	159	0.50	13
FDS-1-4930B	Gray/Gray	4930	2236	1.00	25	3.00	76	10.00	254	4.00	102	0.69	17	6.25	159	0.50	13
FDS-1-5730B	Gray/Gray	5730	2599	1.00	25	3.00	76	10.00	254	4.00	102	0.69	17	6.25	159	0.50	13
FDS-1-7000B	Gray/Gray	7000	3175	1.00	25	3.00	76	10.00	254	4.00	102	0.69	17	6.25	159	0.50	13
FDS-1-5000B	Gray	5000	2268	1.09	28	3.00	76	8.00	203	8.00	203	0.69	17	6.88	175	0.50	13
FDS-1-6800B	Gray	6800	3084	0.95	24	3.00	76	8.00	203	8.00	203	0.69	17	6.88	175	0.50	13
FDS-1-8800B	Gray/Gray	8800	3992	1.00	26	3.00	76	8.00	203	8.00	203	0.69	17	6.88	175	0.50	13
FDS-1-9860B	Gray	9860	4472	1.00	25	3.00	76	8.00	203	8.00	203	0.69	17	6.88	175	0.63	16
FDS-1-11460B	Gray/Gray	11460	5198	1.00	25	3.00	76	8.00	203	8.00	203	0.69	17	6.88	175	0.63	16
FDS-1-14000B	Gray/Gray	14000	6350	1.00	25	3.00	76	8.00	203	8.00	203	0.69	17	6.88	175	0.63	16

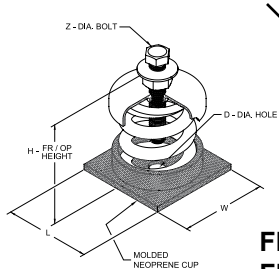


FDS-1-5000B/14000B
FDS-2-8000B/18000B

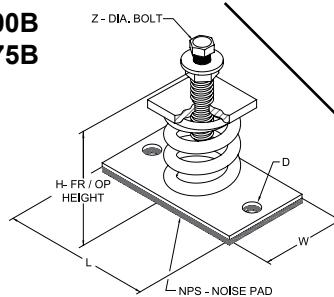


FDS-1-2500B/7000B
FDS-2-4000B/9000B

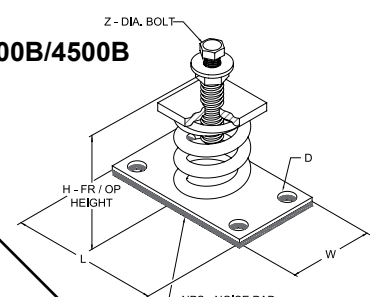
Isolator Type	Spring Color	Rated Capacity		Rated Deflection		Spring O.D.		L		W		D		H		Z	
		lbs.	kg	in.	mm	in.	mm	in.	mm	in.	mm	in.	mm	in.	mm	in.	mm
FDS-2-100	Gray	100	45	2.00	51	3.50	89	4.38	111	4.38	111	1.00	25	7.31	186	0.38	10
FDS-2-135	Beige	135	61	2.00	51	3.50	89	4.38	111	4.38	111	1.00	25	7.31	186	0.38	10
FDS-2-185	Brown	185	84	2.00	51	3.50	89	4.38	111	4.38	111	1.00	25	7.31	186	0.38	10
FDS-2-225	Gray/Brn	225	102	2.00	51	3.50	89	4.38	111	4.38	111	1.00	25	7.31	186	0.38	10
FDS-2-250	Blue	250	113	2.00	51	3.50	89	4.38	111	4.38	111	1.00	25	7.31	186	0.38	10
FDS-2-375	Blue/Brn	375	170	2.00	51	3.50	89	4.38	111	4.38	111	1.00	25	7.31	186	0.38	10
FDS-2-500	Green	500	227	2.00	51	3.50	89	4.38	111	4.38	111	1.00	25	7.31	186	0.38	10
FDS-2-625	Green/Brn	625	283	2.00	51	3.50	89	4.38	111	4.38	111	1.00	25	7.31	186	0.38	10
FDS-2-750	Black	750	340	2.00	51	3.50	89	4.38	111	4.38	111	1.00	25	7.31	186	0.38	10
FDS-2-875	Black/Brn	875	397	2.00	51	3.50	89	4.38	111	4.38	111	1.00	25	7.31	186	0.38	10
FDS-2-995	Orange	995	451	2.00	51	3.50	89	4.38	111	4.38	111	1.00	25	7.31	186	0.38	10
FDS-2-1120	Org/Brn	1120	508	2.00	51	3.50	89	4.38	111	4.38	111	1.00	25	7.31	186	0.38	10
FDS-2-1400	Org/Grn	1400	635	2.01	51	3.50	89	4.38	111	4.38	111	1.00	25	7.31	186	0.38	10
FDS-2-1600	Red	1600	726	2.00	51	3.50	89	4.38	111	4.38	111	1.00	25	7.31	186	0.38	10
FDS-2-1975	Red/Grn	1975	896	1.98	50	3.50	89	4.38	111	4.38	111	1.00	25	7.31	186	0.38	10
FDS-2-100B	Gray	100	45	2.00	51	3.50	89	7.00	178	7.00	178	0.69	17	7.50	191	0.38	10
FDS-2-135B	Gray	135	61	2.00	51	3.50	89	7.00	178	7.00	178	0.69	17	7.50	191	0.38	10
FDS-2-185B	Gray	185	84	2.00	51	3.50	89	7.00	178	7.00	178	0.69	17	7.50	191	0.38	10
FDS-2-225B	Gray/Gray	225	102	2.00	51	3.50	89	7.00	178	7.00	178	0.69	17	7.50	191	0.38	10
FDS-2-250B	Gray	250	113	2.00	51	3.50	89	7.00	178	7.00	178	0.69	17	7.50	191	0.38	10
FDS-2-375B	Gray/Gray	375	170	2.00	51	3.50	89	7.00	178	7.00	178	0.69	17	7.50	191	0.38	10
FDS-2-500B	Gray	500	227	2.00	51	3.50	89	7.00	178	7.00	178	0.69	17	7.50	191	0.38	10
FDS-2-625B	Gray/Gray	625	283	2.00	51	3.50	89	7.00	178	7.00	178	0.69	17	7.50	191	0.38	10
FDS-2-750B	Gray	750	340	2.00	51	3.50	89	7.00	178	7.00	178	0.69	17	7.50	191	0.38	10
FDS-2-875B	Gray/Gray	875	397	2.00	51	3.50	89	7.00	178	7.00	178	0.69	17	7.50	191	0.38	10
FDS-2-995B	Gray	995	451	2.00	51	3.50	89	7.00	178	7.00	178	0.69	17	7.50	191	0.38	10
FDS-2-1120B	Gray/Gray	1120	508	2.00	51	3.50	89	7.00	178	7.00	178	0.69	17	7.50	191	0.38	10
FDS-2-1400B	Gray/Gray	1400	635	2.01	51	3.50	89	7.00	178	7.00	178	0.69	17	7.50	191	0.38	10
FDS-2-1600B	Gray	1600	726	2.00	51	3.50	89	7.00	178	7.00	178	0.69	17	7.50	191	0.38	10
FDS-2-1975B	Gray/Gray	1975	896	1.98	50	3.50	89	7.00	178	7.00	178	0.69	17	7.50	191	0.38	10
FDS-2-2000B	Gray	2000	907	2.00	51	5.00	127	7.00	178	7.00	178	0.56	14	8.75	222	0.38	10
FDS-2-2500B	Gray	2500	1134	2.00	51	5.00	127	7.00	178	7.00	178	0.56	14	8.75	222	0.38	10
FDS-2-2750B	Gray/Gray	2750	1247	2.00	51	5.00	127	7.00	178	7.00	178	0.56	14	8.75	222	0.50	13
FDS-2-3025B	Gray/Gray	3025	1372	2.02	51	5.00	127	7.00	178	7.00	178	0.56	14	8.75	222	0.50	13
FDS-2-3250B	Gray/Gray	3250	1474	2.00	51	5.00	127	7.00	178	7.00	178	0.56	14	8.75	222	0.50	13
FDS-2-3500B	Gray/Gray	3500	1588	2.00	51	5.00	127	7.00	178	7.00	178	0.56	14	8.75	222	0.50	13
FDS-2-3900B	Gray/Gray	3900	1769	2.00	51	5.00	127	7.00	178	7.00	178	0.56	14	8.75	222	0.50	13
FDS-2-4100B	Gray/Gray	4100	1860	2.00	51	5.00	127	7.00	178	7.00	178	0.56	14	8.75	222	0.50	13
FDS-2-4500B	Gray/Gray	4500	2041	2.00	51	5.00	127	7.00	178	7.00	178	0.56	14	8.75	222	0.50	13
FDS-2-4000B	Gray	4000	1814	2.00	51	5.00	127	14.00	356	14.00	356	0.69	17	9.25	235	0.50	13
FDS-2-5000B	Gray	5000	2268	2.00	51	5.00	127	14.00	356	14.00	356	0.69	17	9.25	235	0.50	13
FDS-2-5500B	Gray/Gray	5500	2495	2.00	51	5.00	127	14.00	356	14.00	356	0.69	17	9.25	235	0.50	13
FDS-2-6050B	Gray/Gray	6050	2744	2.02	51	5.00	127	14.00	356	14.00	356	0.69	17	9.25	235	0.50	13
FDS-2-6500B	Gray/Gray	6500	2948	2.00	51	5.00	127	14.00	356	14.00	356	0.69	17	9.25	235	0.50	13
FDS-2-7000B	Gray/Gray	7000	3175	2.00	51	5.00	127	14.00	356	14.00	356	0.69	17	9.25	235	0.50	13
FDS-2-7800B	Gray/Gray	7800	3538	2.00	51	5.00	127	14.00	356	14.00	356	0.69	17	9.25	235	0.50	13
FDS-2-8200B	Gray/Gray	8200	3719	2.00	51	5.00	127	14.00	356	14.00	356	0.69	17	9.25	235	0.50	13
FDS-2-9000B	Gray/Gray	9000	4082	2.00	51	5.00	127	14.00	356	14.00	356	0.69	17	9.25	235	0.50	13
FDS-2-8000B	Gray	8000	3629	2.00	51	5.00	127	12.00	305	12.00	305	0.81	21	11.75	298	1.25	32
FDS-2-10000B	Gray	10000	4536	2.00	51	5.00	127	12.00	305	12.00	305	0.81	21	11.75	298	1.25	32
FDS-2-11000B	Gray/Gray	11000	4990	2.00	51	5.00	127	12.00	305	12.00	305	0.81	21	11.75	298	1.50	38
FDS-2-12100B	Gray/Gray	12100	5488	2.02	51	5.00	127	12.00	305	12.00	305	0.81	21	11.75	298	1.50	38
FDS-2-13000B	Gray/Gray	13000	5897	2.00	51	5.00	127	12.00	305	12.00	305	0.81	21	11.75	298	1.50	38
FDS-2-14000B	Gray/Gray	14000	6350	2.00	51	5.00	127	12.00	305	12.00	305	0.81	21	11.75	298	1.50	38
FDS-2-15600B	Gray/Gray	15600	7076	2.00	51	5.00	127	12.00	305	12.00	305	0.81	21	11.75	298	1.50	38
FDS-2-16400B	Gray/Gray	16400	7439	2.00	51	5.00	127	12.00	305	12.00	305	0.81	21	11.75	298	1.50	38
FDS-2-18000B	Gray/Gray	1800	8165	2.00	51	5.00	127	12.00	305	12.00	305	0.81	21	11.75	298	1.50	38



FDS-1-35/3500
FDS-2-100/1975



FDS-1-120B/3500B
FDS-2-100B/1975B



FDS-2-2000B/4500B

Specifications

Vibration isolators shall be free standing, unhooused, laterally stabile steel springs. Springs shall have a lateral stiffness greater than 1.0 times the rated vertical stiffness and shall be designed to provide a minimum 50% overload capacity.

Springs shall be assembled or welded between top and bottom load plates. The upper load plate shall be provided with steel leveling bolts, lock nut and washer for attachment to the supported equipment. The lower load plate shall incorporate a non-skid noise isolation pad and shall have provisions for bolting the isolator to the supporting structure, as required.

Springs shall be selected to provide operating static deflections shown on the Vibration Isolation Schedule or as otherwise indicated on the project documents. Springs shall be color coded or otherwise identified to indicate load capacity. Spring isolation mounts for floor-mounted equipment shall be Model FDS, as manufactured by Kinetics Noise Control, Inc.



United States

6300 Irelan Place
P.O. Box 655
Dublin, Ohio 43017
Phone: 614-889-0480
Fax: 614-889-0540

Canada

3570 Nashua Drive
Mississauga, Ontario
L4V 1L2
Phone: 905-670-4922
Fax: 905-670-1698

www.kineticsnoise.com
sales@kineticsnoise.com

Kinetics Noise Control, Inc. is continually upgrading the quality of our products. We reserve the right to make changes to this and all products without notice.

KINETICS™

Free Standing Spring Isolators Model FDS-4

Description

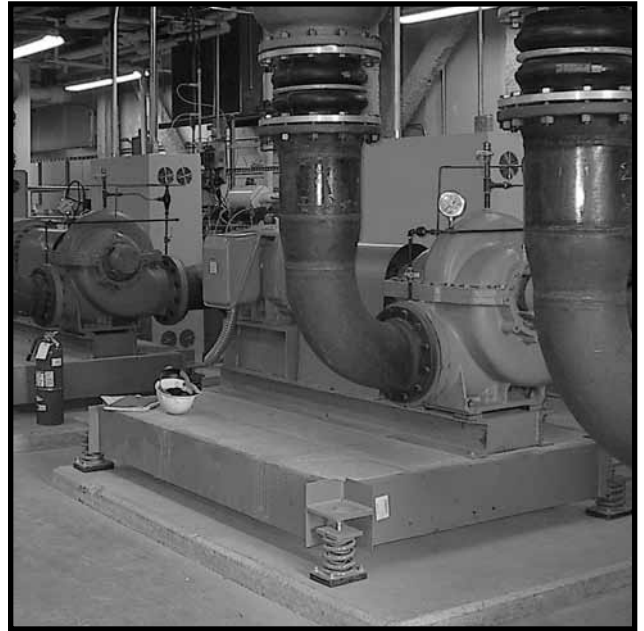
Kinetics Model FDS Spring Vibration Isolators consist of high deflection, free-standing, unhooused, large diameter, laterally stable steel springs assembled into an upper load plate and leveling assembly. To assure stability, the spring isolators have lateral spring stiffness greater than 1.0 times the rated vertical stiffness and are designed to provide a minimum 50% overload capacity. Springs are polyester powder coated, with a 1,000-hour salt spray rating per ASTM B-117. In lighter capacities, FDS Spring Isolators have molded neoprene bottom load plate assemblies. In heavier capacities, springs are welded to the load plate assemblies and are furnished with a neoprene noise isolation pad. FDS Isolators have provisions for bolting the isolator to the structure. FDS isolators are available with deflections to 4" (102 mm) and with load capacities to 23,200 lbs. (10,523 kg) as standard products. Custom isolators with higher deflection and greater load capacities are also available. Kinetics Model FDS Spring Isolators are highly effective for control of both high and low frequency vibration produced by reciprocating air or refrigeration compressors, pumps, packaged air-handling and air-conditioning equipment, centrifugal and axial fans, internal combustion engines, etc.

Application

Kinetics Model FDS spring mounts are recommended for use in isolating floor mounted sources of noise and vibration located near critically quiet areas.

Model FDS spring mounts are typically used to reduce the transmission of noise and vibration from low speed mechanical equipment into a building structure. Operating static deflections are available up to 4" (102 mm) to compensate for long span flexible floor structures.

Model FDS spring mounts are used in a wide range of applications, some requiring Kinetics equipment bases in addition to spring isolators, and can be used to support and isolate the following equipment types: reciprocating air or refrigeration compressors, close coupled and basemounted pumps, packaged air-handling and refrigeration equipment, centrifugal fans, internal combustion engines, and similar equipment. Model FDS Isolators are for use on equipment that is not subject to lateral forces such as wind.



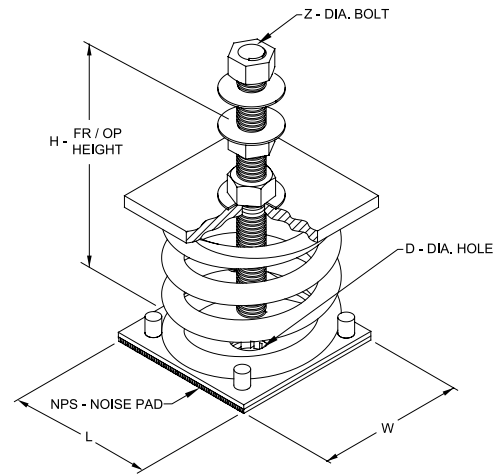
Specifications

Vibration isolators shall be free standing, unhooused, laterally stable steel springs. Springs shall have a lateral stiffness greater than 1.0 times the rated vertical stiffness and shall be designed to provide a minimum 50% overload capacity.

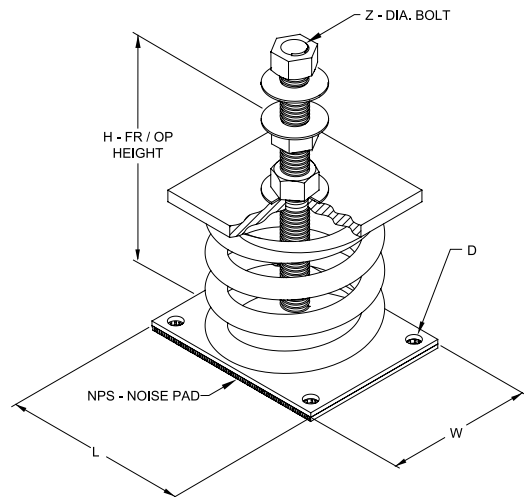
Springs shall be assembled or welded between top and bottom load plates. The upper load plate shall be provided with steel leveling bolts, lock nut and washer for attachment to the supported equipment. The lower load plate shall incorporate a non-skid noise isolation pad and shall have provisions for bolting the isolator to the supporting structure, as required.

Springs shall be selected to provide operating static deflections shown on the Vibration Isolation Schedule or as otherwise indicated on the project documents. Springs shall be color coded or otherwise identified to indicate load capacity.

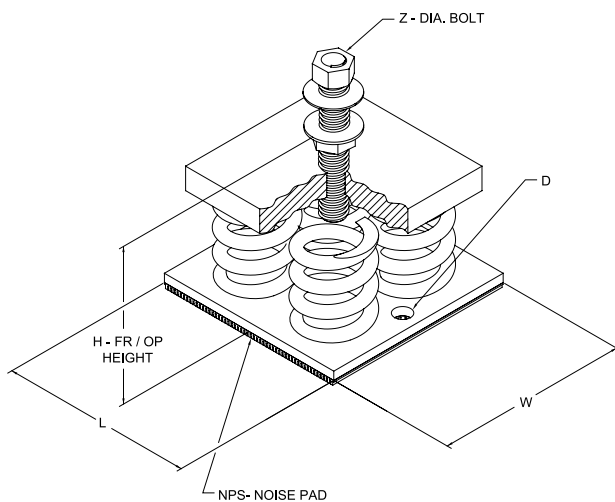
Spring isolation mounts for floor-mounted equipment shall be Model FDS, as manufactured by Kinetics Noise Control, Inc.



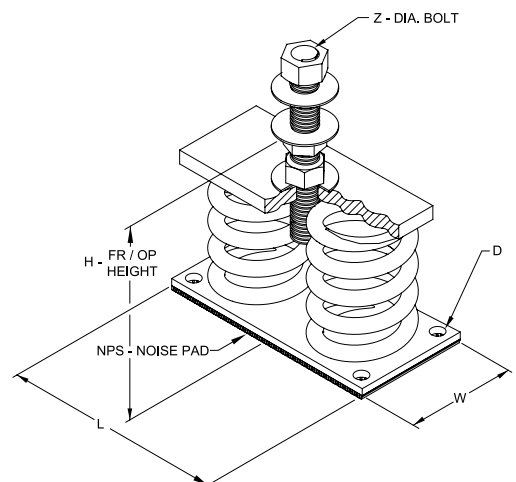
FDS-4-100/1600



FDS-4-2250B/5800B



FDS-4-11000B/23200B



FDS-4-5500B/11600B

Isolator Type	Spring Color	Rated Capacity		Rated Deflection		Spring O.D.		L		W		D		Z		H	
		lbs.	kg	in.	mm	in.	mm	in.	mm	in.	mm	in.	mm	in.	mm	in.	mm
FDS-4-100	Gray	100	45	4.00	102	5.63	143	6.00	152	6.00	152	0.81	21	0.88	22	13.00	330
FDS-4-250	Blue	250	113	4.00	102	5.63	143	6.00	152	6.00	152	0.81	21	0.88	22	13.00	330
FDS-4-500	Green	500	227	4.00	102	5.63	143	6.00	152	6.00	152	0.81	21	0.88	22	13.00	330
FDS-4-750	Black	750	340	4.00	102	5.63	143	6.00	152	6.00	152	0.81	21	0.88	22	13.00	330
FDS-4-1000	Red	1000	454	4.00	102	5.63	143	6.00	152	6.00	152	0.81	21	0.88	22	13.00	330
FDS-4-1250	Brown	1250	567	4.00	102	5.63	143	6.00	152	6.00	152	0.81	21	0.88	22	13.00	330
FDS-4-1600	Orange	1600	726	4.00	102	5.63	143	6.00	152	6.00	152	0.81	21	0.88	22	13.00	330
FDS-4-2250B	Gray	2250	1021	4.00	102	8.00	203	10.00	254	10.00	254	0.69	17	1.25	32	15.25	387
FDS-4-2500B	Gray/Gray	2500	1134	4.00	102	8.00	203	10.00	254	10.00	254	0.69	17	1.25	32	15.25	387
FDS-4-2750B	Gray/Gray	2750	1247	4.00	102	8.00	203	10.00	254	10.00	254	0.69	17	1.25	32	15.25	387
FDS-4-3000B	Gray/Gray	3000	1361	4.00	102	8.00	203	10.00	254	10.00	254	0.69	17	1.25	32	15.25	387
FDS-4-3250B	Gray/Gray	3250	1474	4.00	102	8.00	203	10.00	254	10.00	254	0.69	17	1.25	32	15.25	387
FDS-4-3500B	Gray/Gray	3500	1588	4.00	102	8.00	203	10.00	254	10.00	254	0.69	17	1.25	32	15.25	387
FDS-4-3850B	Gray/Gray	3850	1746	4.00	102	8.00	203	10.00	254	10.00	254	0.69	17	1.25	32	15.25	387
FDS-4-4200B	Gray	4200	1905	4.00	102	8.00	203	10.00	254	10.00	254	0.69	17	1.25	32	15.25	387
FDS-4-4450B	Gray/Gray	4450	2018	4.00	102	8.00	203	10.00	254	10.00	254	0.69	17	1.25	32	15.25	387
FDS-4-4700B	Gray/Gray	4700	2132	4.00	102	8.00	203	10.00	254	10.00	254	0.69	17	1.25	32	15.25	387
FDS-4-4950B	Gray/Gray	4950	2245	4.00	102	8.00	203	10.00	254	10.00	254	0.69	17	1.25	32	15.25	387
FDS-4-5200B	Gray/Gray	5200	2359	4.00	102	8.00	203	10.00	254	10.00	254	0.69	17	1.25	32	15.25	387
FDS-4-5450B	Gray/Gray	5450	2472	4.00	102	8.00	203	10.00	254	10.00	254	0.69	17	1.25	32	15.25	387
FDS-4-5800B	Gray/Gray	5800	2631	4.00	102	8.00	203	10.00	254	10.00	254	0.69	17	1.25	32	15.25	387
FDS-4-5500B	Gray/Gray	5500	2495	4.00	102	8.00	203	18.50	470	18.50	470	0.69	17	1.25	32	16.00	406
FDS-4-6000B	Gray/Gray	6000	2722	4.00	102	8.00	203	18.50	470	18.50	470	0.69	17	1.25	32	16.00	406
FDS-4-6500B	Gray/Gray	6500	2948	4.00	102	8.00	203	18.50	470	18.50	470	0.69	17	1.25	32	16.00	406
FDS-4-7000B	Gray/Gray	7000	3175	4.00	102	8.00	203	18.50	470	18.50	470	0.69	17	1.25	32	16.00	406
FDS-4-7700B	Gray/Gray	7700	3493	4.00	102	8.00	203	18.50	470	18.50	470	0.69	17	1.25	32	16.00	406
FDS-4-8400B	Gray	8400	3810	4.00	102	8.00	203	18.50	470	18.50	470	0.69	17	1.25	32	16.00	406
FDS-4-8900B	Gray/Gray	8900	4037	4.00	102	8.00	203	18.50	470	18.50	470	0.69	17	1.25	32	16.00	406
FDS-4-9400B	Gray/Gray	9400	4264	4.00	102	8.00	203	18.50	470	18.50	470	0.69	17	1.25	32	16.00	406
FDS-4-9900B	Gray/Gray	9900	4491	4.00	102	8.00	203	18.50	470	18.50	470	0.69	17	1.25	32	16.00	406
FDS-4-10400B	Gray/Gray	10400	4717	4.00	102	8.00	203	18.50	470	18.50	470	0.69	17	1.25	32	16.00	406
FDS-4-10900B	Gray/Gray	10900	4944	4.00	102	8.00	203	18.50	470	18.50	470	0.69	17	1.25	32	16.00	406
FDS-4-11600B	Gray/Gray	11600	5262	4.00	102	8.00	203	18.50	470	18.50	470	0.69	17	1.25	32	16.00	406
FDS-4-11000B	Gray/Gray	11000	4990	4.00	102	8.00	203	18.00	457	18.00	457	0.81	21	1.50	38	16.75	425
FDS-4-12000B	Gray/Gray	12000	5443	4.00	102	8.00	203	18.00	457	18.00	457	0.81	21	1.50	38	16.75	425
FDS-4-13000B	Gray/Gray	13000	5897	4.00	102	8.00	203	18.00	457	18.00	457	0.81	21	1.50	38	16.75	425
FDS-4-14000B	Gray/Gray	14000	6350	4.00	102	8.00	203	18.00	457	18.00	457	0.81	21	1.50	38	16.75	425
FDS-4-15400B	Gray/Gray	15400	6985	4.00	102	8.00	203	18.00	457	18.00	457	0.81	21	1.50	38	16.75	425
FDS-4-16800B	Gray	16800	7620	4.00	102	8.00	203	18.00	457	18.00	457	0.81	21	1.50	38	16.75	425
FDS-4-17800B	Gray/Gray	17800	8074	4.00	102	8.00	203	18.00	457	18.00	457	0.81	21	1.50	38	16.75	425
FDS-4-18800B	Gray/Gray	18800	8528	4.00	102	8.00	203	18.00	457	18.00	457	0.81	21	1.75	44	17.25	438
FDS-4-19800B	Gray/Gray	19800	8981	4.00	102	8.00	203	18.00	457	18.00	457	0.81	21	1.75	44	17.25	438
FDS-4-20800B	Gray/Gray	20800	9435	4.00	102	8.00	203	18.00	457	18.00	457	0.81	21	1.75	44	17.25	438
FDS-4-21800B	Gray/Gray	21800	9888	4.00	102	8.00	203	18.00	457	18.00	457	0.81	21	1.75	44	17.25	438
FDS-4-23200B	Gray/Gray	23200	10523	4.00	102	8.00	203	18.00	457	18.00	457	0.81	21	1.75	44	17.25	438



United States

6300 Irelan Place
P.O. Box 655
Dublin, Ohio 43017
Phone: 614-889-0480
Fax: 614-889-0540

Canada

3570 Nashua Drive
Mississauga, Ontario
L4V 1L2
Phone: 905-670-4922
Fax: 905-670-1698

www.kineticsnoise.com
sales@kineticsnoise.com

Kinetics Noise Control, Inc. is continually upgrading the quality of our products. We reserve the right to make changes to this and all products without notice.